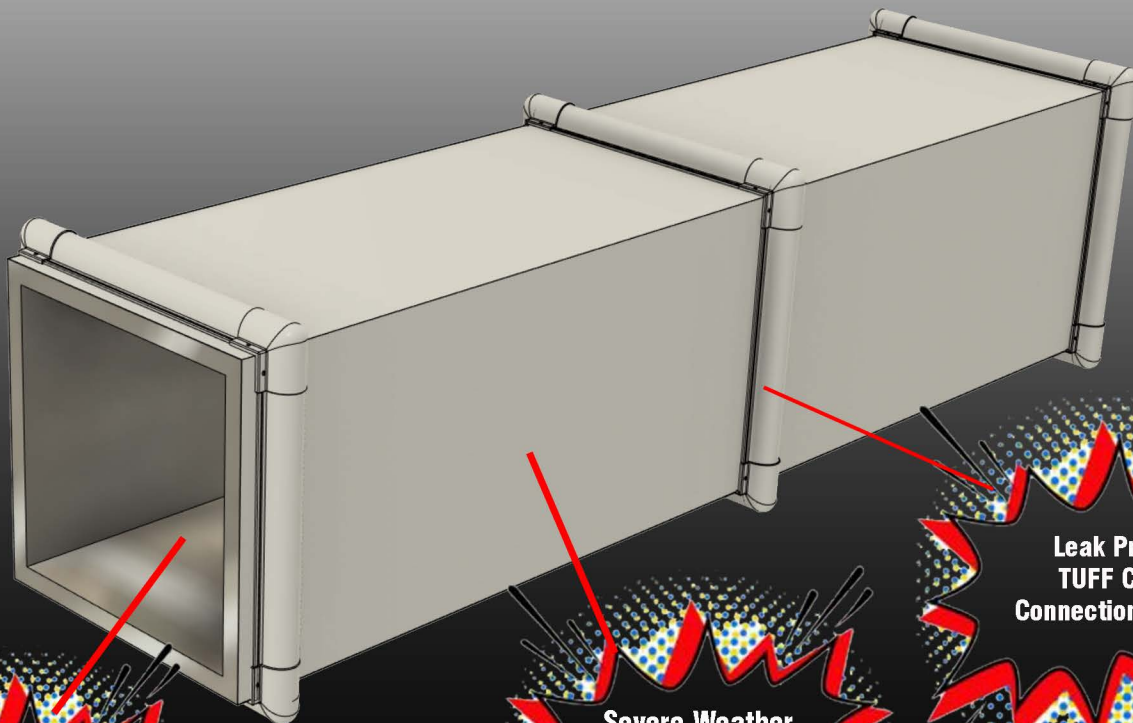


# Your #1 Leader in Outdoor Ductwork Products

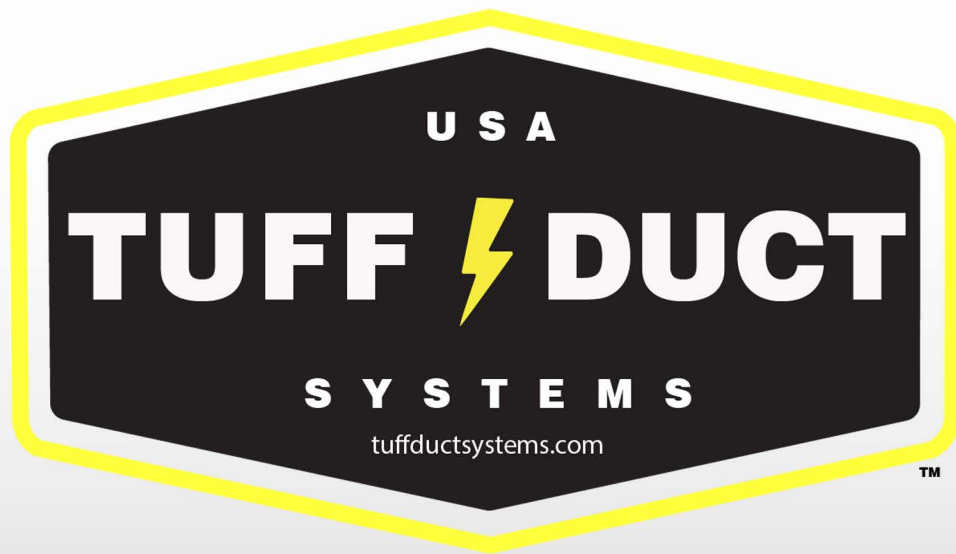


Standard  
Ductwork Install  
Practices

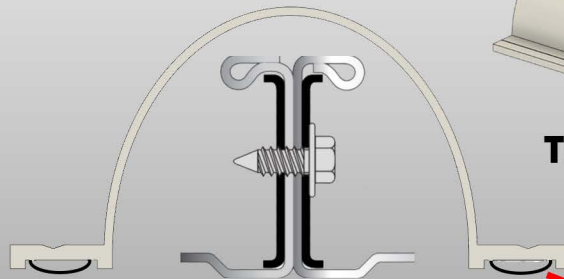
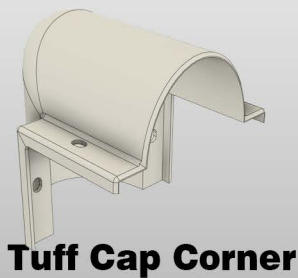


HVAC System  
Guaranteed for  
25 Years





## Tuff Cap Weather Proof Joint Cover



Corner and Joint Cover are made of  
– High Impact ABS with UV  
Stabilizers added for Protection  
from the Sun's Ultra-Violet Rays.

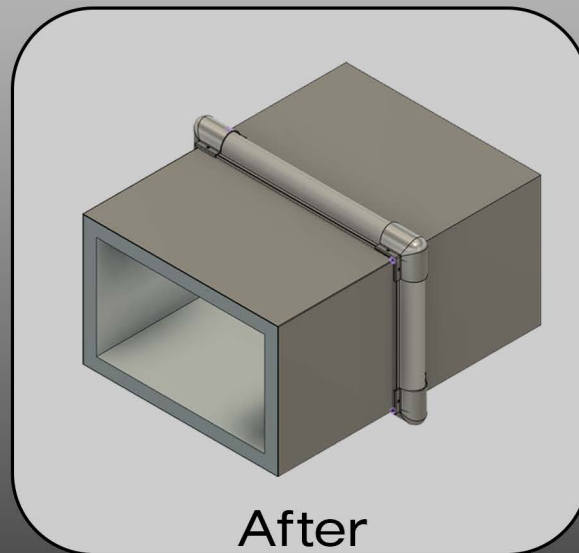
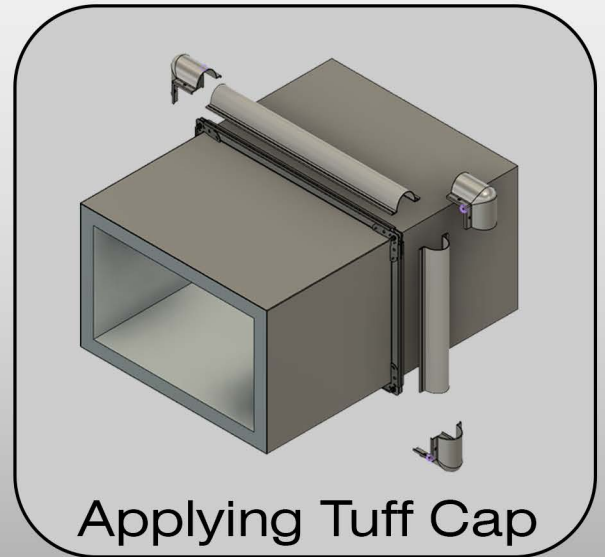
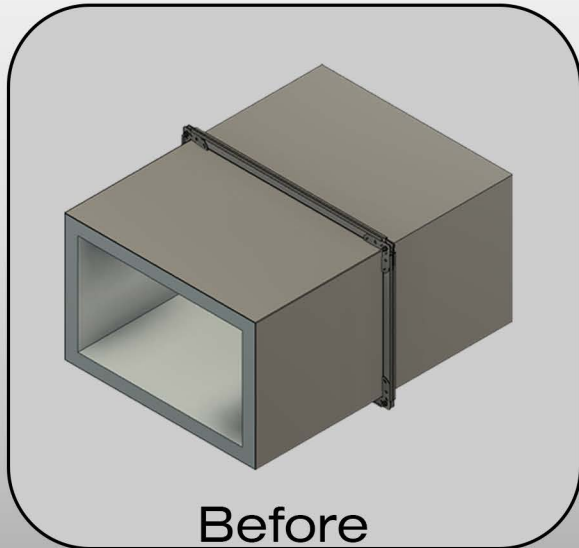


Tuff Cap connection cover can be factory cut to length or ordered in 12' stock lengths for easy field installation.

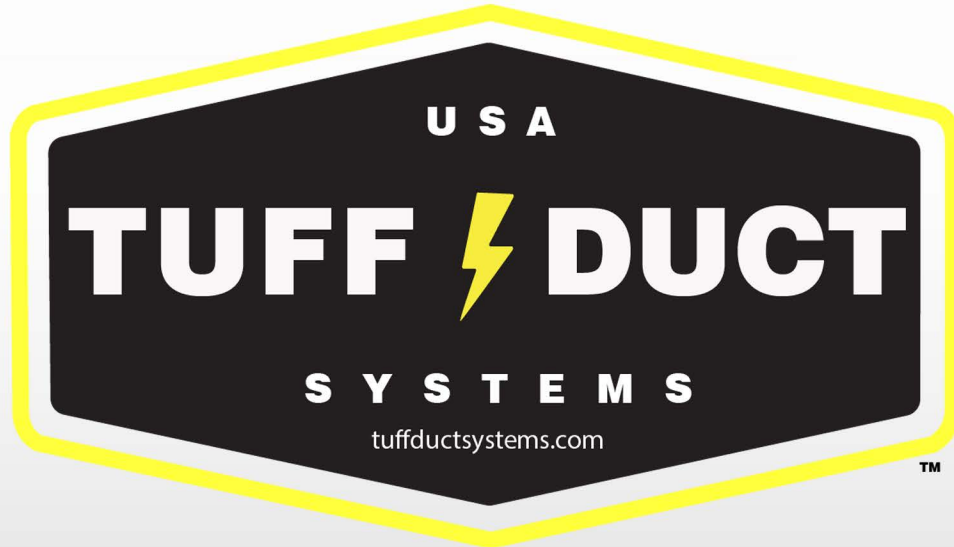


# Tuff Cap

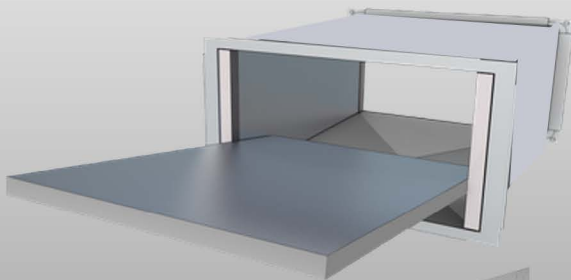
Tuff Duct Comes Standard with  
Patented Weather Proof TUFF CAP  
Connection Cover



Tuff Cap can also be provided  
Separately for Installation on any  
outdoor Connection that are Weather  
Compromised.



## Highest Rated Thermal Lined Inner Core



Phenolic Insulation thickness double the R-Value in comparison to Fiberglass

Phenolic Insulation Eliminates fibers in the Air Stream Compared to Fiberglass Insulation



Phenolic Insulated Ductwork Liner Has the Highest R-Value Rating in the Industry

Phenolic Duct Liner comes in the following thickness

$7/8'' = R6$ ,  $1-3/16'' = R-8$ , and  $1-3/4'' = R-12$

Thickness can be Combined for Greater R-Values



# Tuff Duct Systems Features Phenolic Insulation as its Standard Duct Liner

## Other Duct Liners are Available

# Prefinished Outer Shell

The exterior coating is a baked-on finish using Sherwin-Williams WeatherXL SMP (silicone-modified polyester).

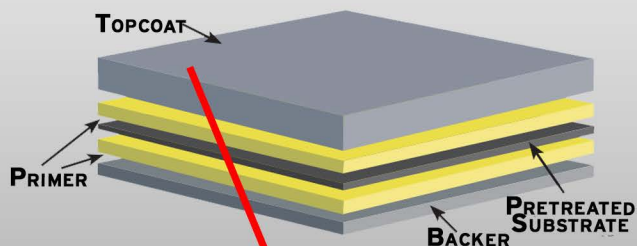
Top: .70-.80 Mil Top Coat .20-.30 Mil Primer  
 Backer: .25-.35 Mil Backer .20-.30 Mil Primer



Warranted by  
**SHERWIN-WILLIAMS**  
 Coil Coatings



Guaranteed  
 No Chalking  
 and Fading  
 For 30 YEARS



Guaranteed  
 Paint Integrity  
 40 YEARS

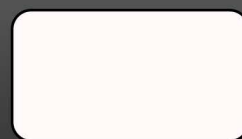
Copy of Sherwin-Williams Warranty Available at [tuffductsystems.com](http://tuffductsystems.com)



Silver Gray

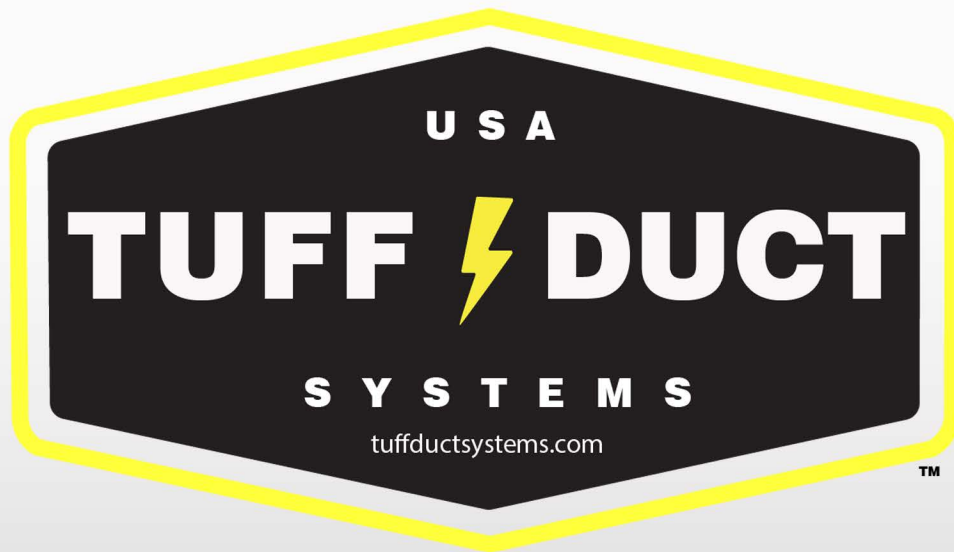
Primary Color

Bright White

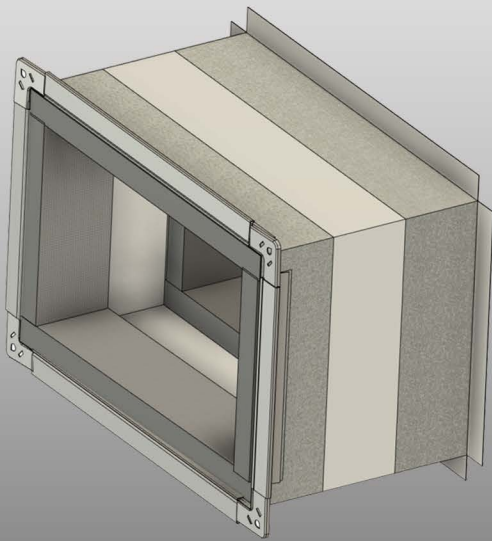


Multiple Color Options Available



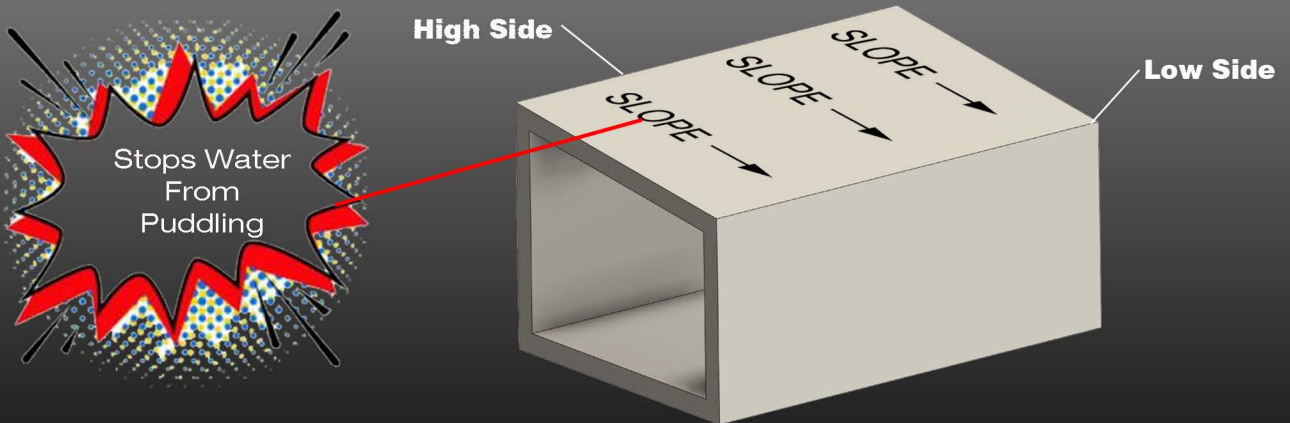


## CANVAS CONNECTIONS INCLUDED



All orders come with a canvas connection coming off the unit supply and return. The provided Tuff Duct canvas connections are typical industry standard helping to eliminate noise and vibration downstream of HVAC equipment. The duct connection side will have a 4 bolt slip on flange and the side attached to the unit will have a 1" flange out with a 1" hem in. Tuff Duct canvas connections are also insulated with the same phenolic insulation provided in the duct system to create maximum R values in the duct system. Canvas connections are provided with a standard galvanized G90 finish.

## OPTIONAL SLOPED TOP FOR WATER RUN OFF



**TUFF DUCT CAN BE MANUFACTURED, UPON REQUEST, WITH A 1/2" PER FOOT SLOPE ON TOP TO ALLOW FOR WATER RUNOFF**

# Additional Insulation Optional Available

## Duct Board



## Tuff Duct with Duct Board

SMACNA Standards  
Owens Corning  
Foil face Air Stream  
R4 1", R6 1.5" R8 2"

## Duct Liner



## Tuff Duct with Duct Liner

SMACNA Standards  
Owens Corning Linacoustic  
Tuff Guard Black Matt Air Stream  
R4 1", R6 1.5" R8 2"



## Uninsulated Tuff Duct Available

SMACNA Standards

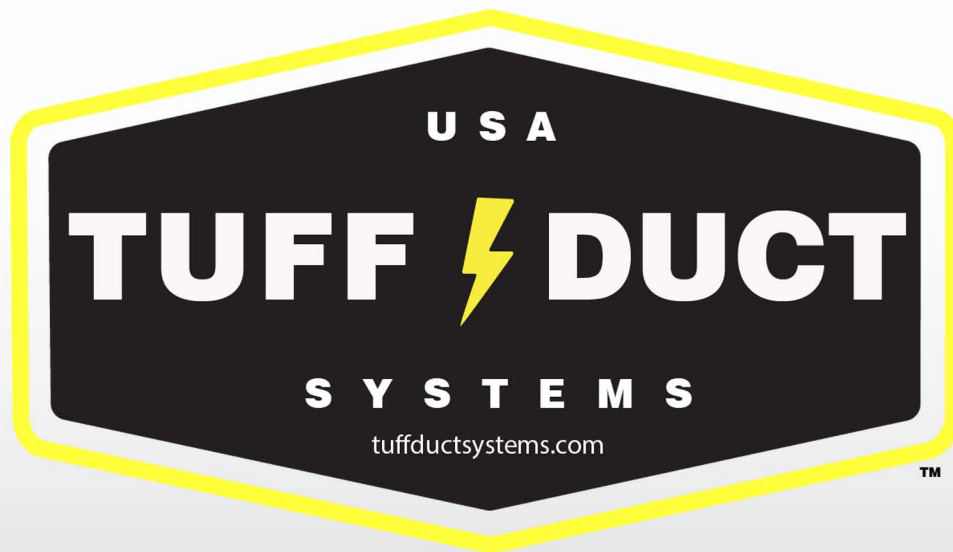


## Double Wall Available

Solid or Perforated Inter Wall

With the Following Liners

Phenolic  
Duct board  
Duct Liner



## Standard Ductwork Install Practices

Tuff Duct is geared and specifically developed for the everyday sheet metal worker. All connections are industry standard making Tuff Duct ductwork very easy to install correctly. This product is designed for any mechanical contractor / sheet metal worker to install because there is nothing new to the installation procedures. The easy install Tuff Cap (with patented stamped corners) ensures that there will be no leaks at the connections. All longitudinal seams are Pittsburgh Construction, SMACNA Approved.



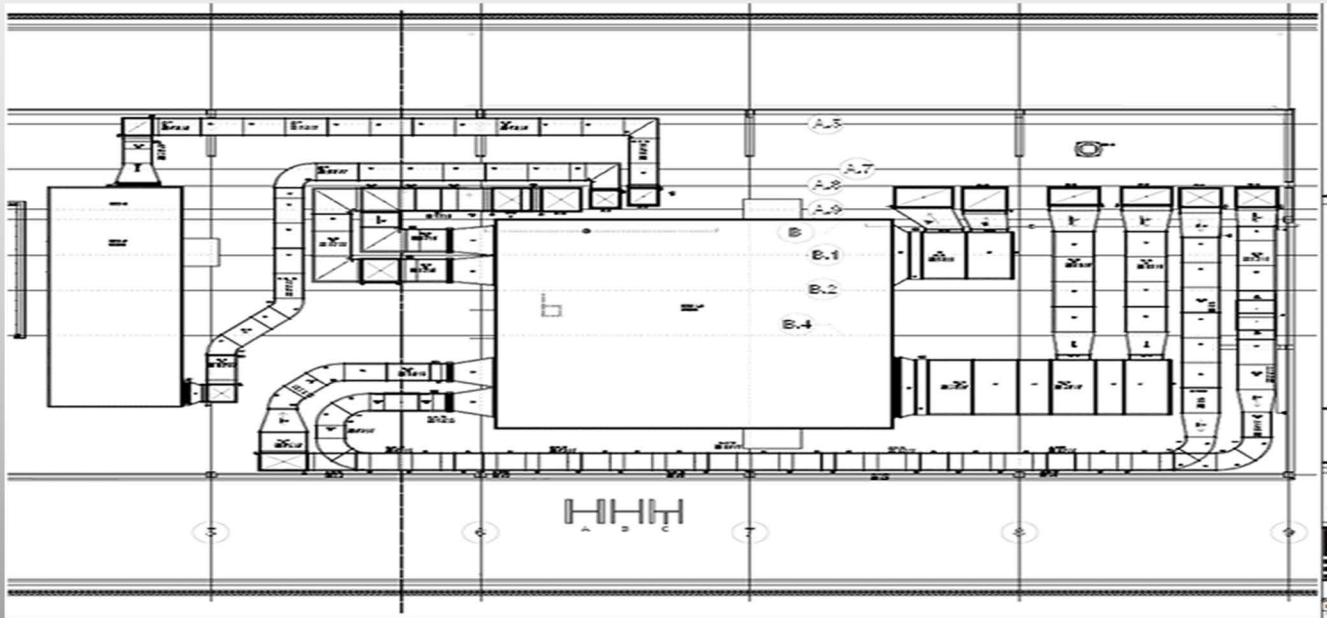
Scan QR Code for  
Install Instructions



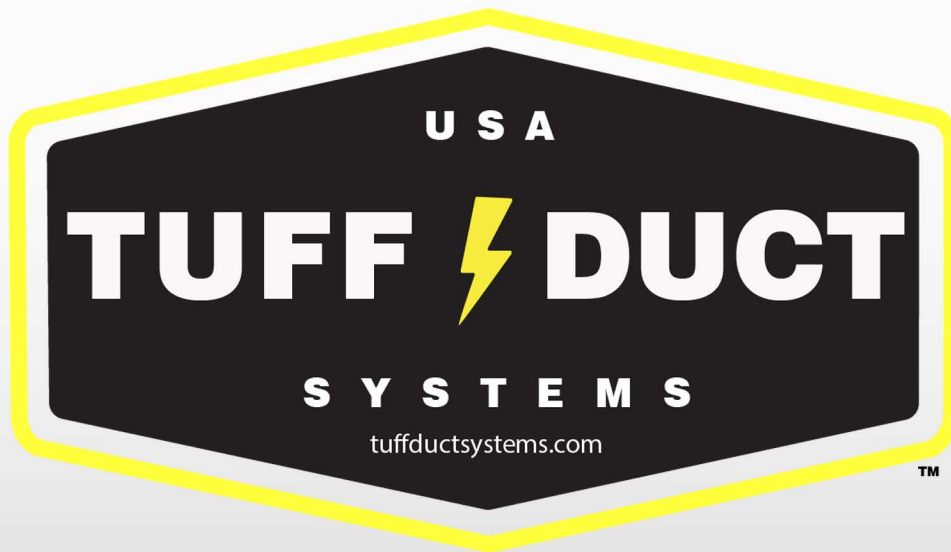
The Same Installation Procedure Sheet Metal Workers  
Have Been Using For Decades



# CAD Drawing Features



- Upon PO CAD coordination drawings are produced within 5 days
- All orders will come with CAD Drawings with pieces tagged and numbered which will match each piece of ductwork to make installation very easy
- All supports will be calculated and spaced on our CAD Drawings
- Pre assembly sections can be ordered and shown as spool pieces on our CAD Dwg.
- Lifting lugs can be placed on CAD Drawings for assembled sections
- Cross over stairways can be added per request



## Cost Savings

- 25% savings compared to our competitors phenolic outdoor air ductwork systems



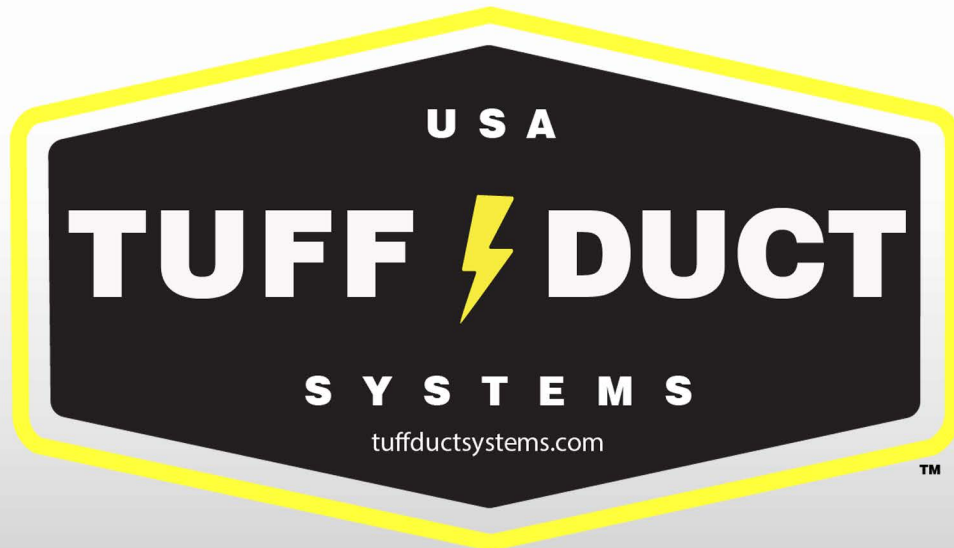
# Cost Savings

50% savings compared to other manufactures field labor installation time

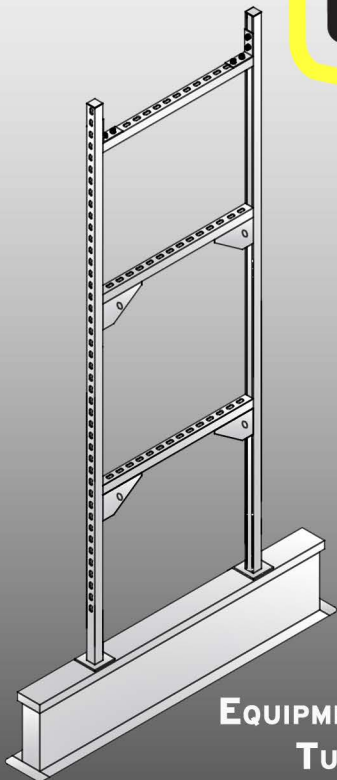


100% better outer shell - birds, crows, mice, etc. can't attack Tuff Duct's outer metal jacket compared to other phenolic ductwork manufacturers

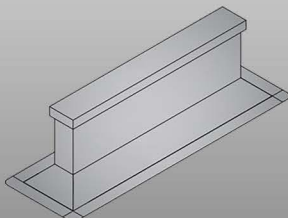




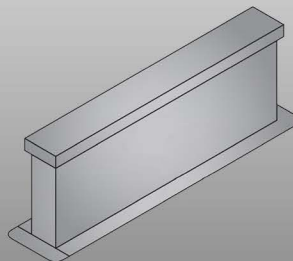
## TUFF DUCT SUPPORT FRAMES



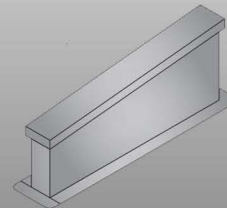
**EQUIPMENT RAIL SUPPORTED  
TUFF DUCT FRAME**



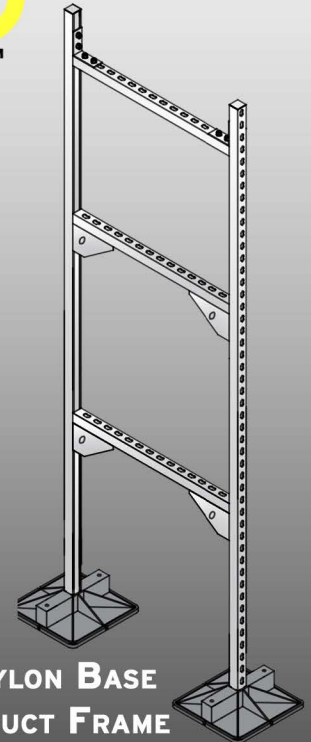
**CANTED  
EQUIPMENT RAIL**



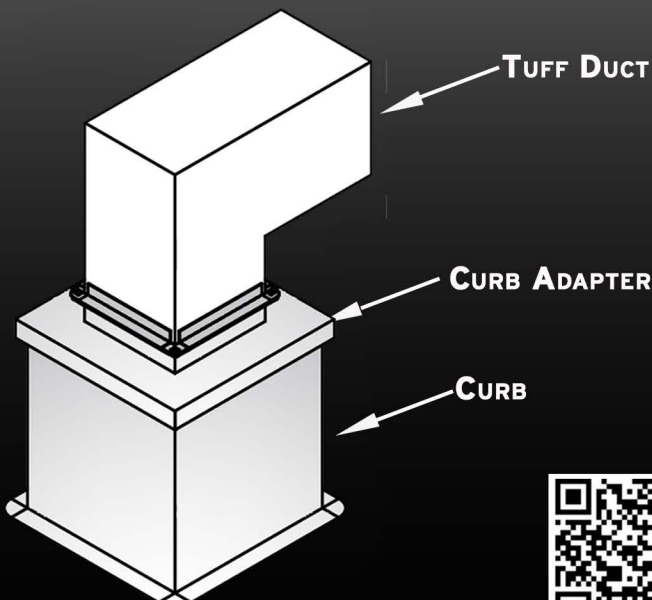
**EQUIPMENT RAIL**



**PITCHED  
EQUIPMENT RAIL**



**MIGHTY MOUNT NYLON BASE  
SUPPORTED TUFF DUCT FRAME**



As a premier commercial roof product fabricator, TUFF DUCT SYSTEMS can fabricate the entire exterior system including all transitions and curbs from beginning to end. This ensures a proper watertight seal every time!”



**FOR MORE INFORMATION ON  
THE PRODUCTS ON THIS PAGE  
SEE TUFF DUCT SUPPORT  
SYSTEMS ON OUR WEBSITE.  
tuffductsystems.com**

**7/25/24**